

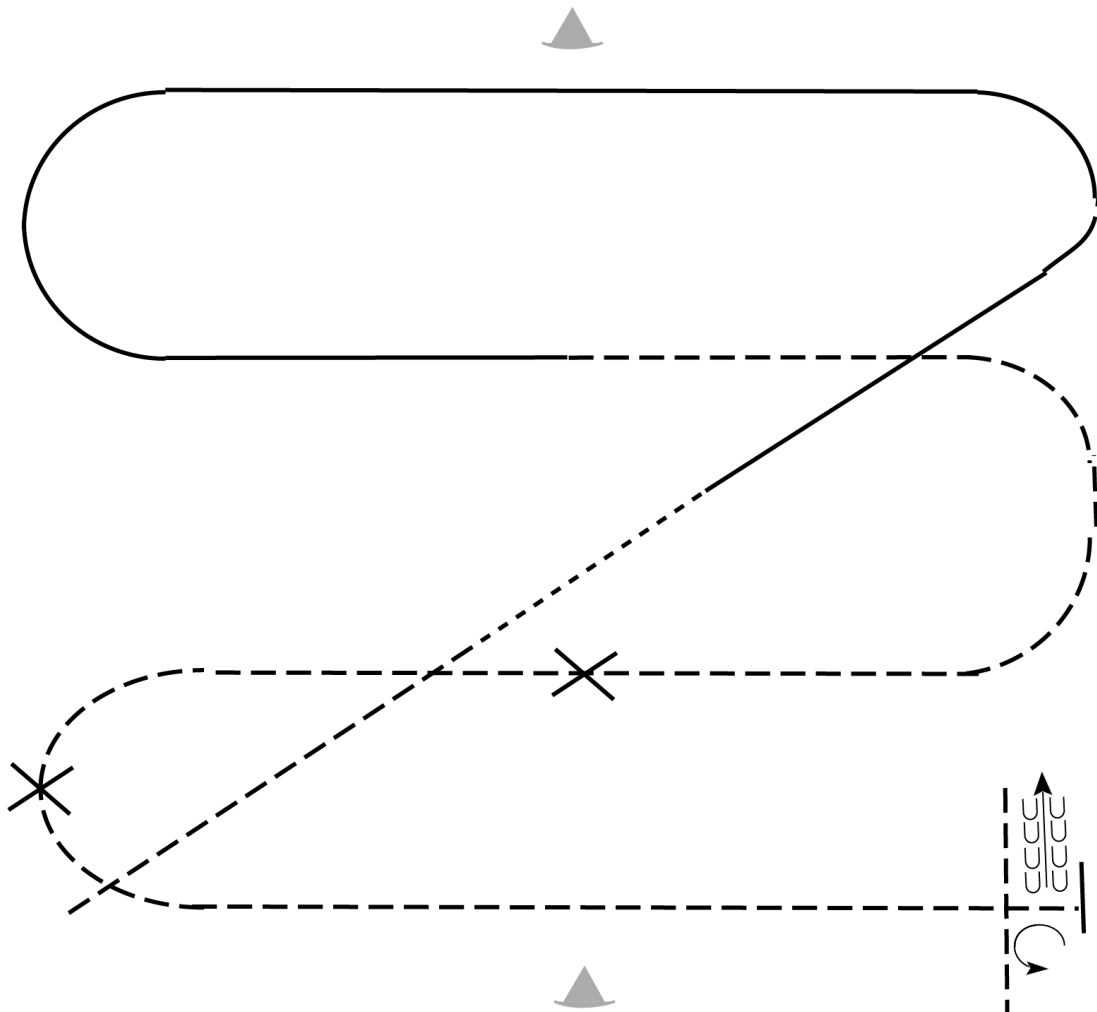
Ride Of America 1/2

Hunt Seat Equitation (Level 1)

Show Date: 07-20-2021

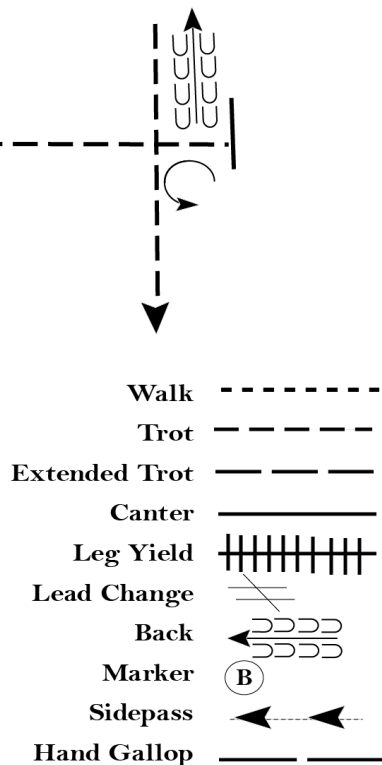
w w w . H o r s e S h o w P a t t e r n s . c o m

w w w . H o r s e S h o w P a t t e r n s . c o m



Keep pattern between markers as shown.

1. Sitting trot then walk several strides.
2. Canter left lead around to center of pattern.
3. Posting trot on the left diagonal then sitting trot (at X).
4. Posting trot on the right diagonal (at X).
5. Halt and perform a 3/4 turn on the forehand left.
6. Back approximately 2 horse lengths then exit at a trot.



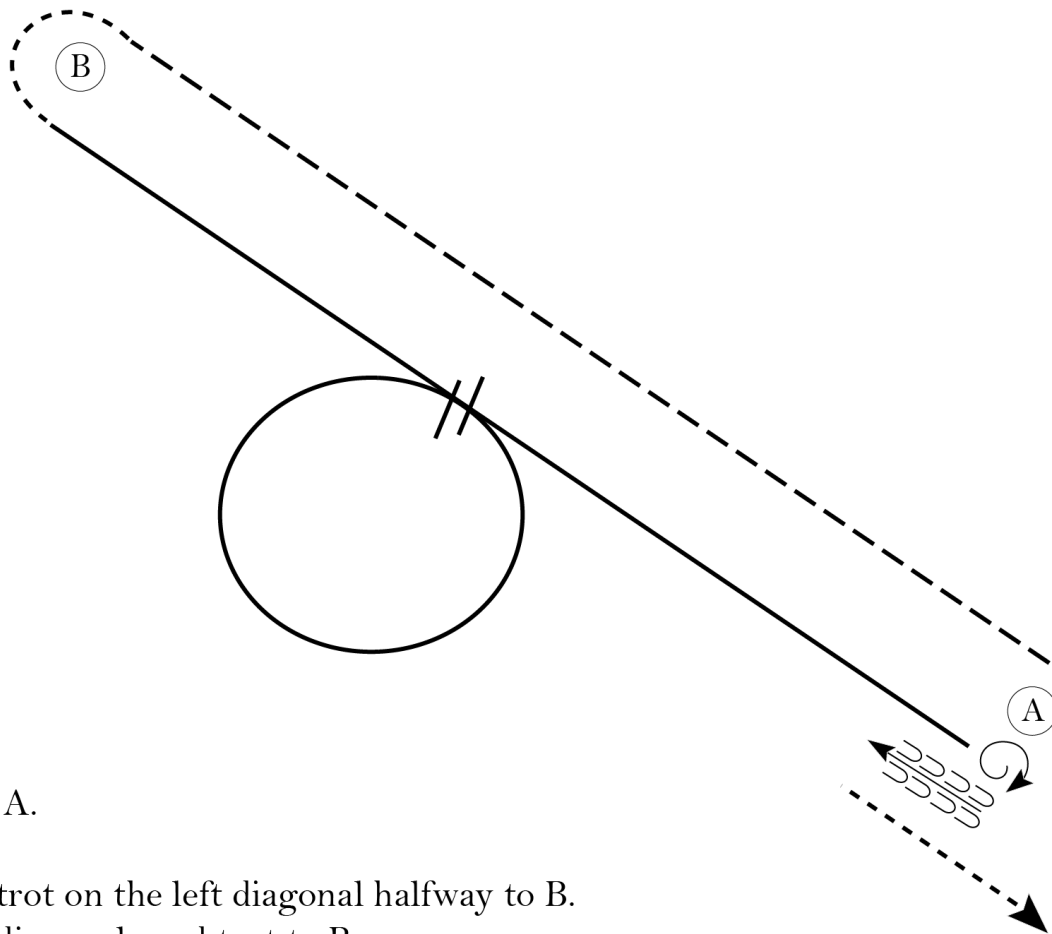
[HSE/1-112]

Pattern Provided by:
Torsten Haier

Ride Of America 1/2

Hunt Seat Equitation (Amateur/Youth)

Show Date: 07-20-2021



Be ready at A.

1. Posting trot on the left diagonal halfway to B.
2. Change diagonals and trot to B.
3. Break to the walk and walk around B.
4. Canter on the right lead halfway to A.
5. Continue to canter in a circle to the right.
6. Perform a simple lead change and canter to A.
7. Halt at A and perform a 360 degree turn on the forehand to the right.
8. Back approximately one horse length.

Pattern is over once you have backed. Walk off and follow the instructions of your ring steward.

Walk	-----
Trot	- - - - -
Extended Trot	-----
Canter	-----
Leg Yield	
Lead Change	///
Back	←←←
Marker	(B)
Sidepass	←-----→
Hand Gallop	-----

[HSE/2-75]

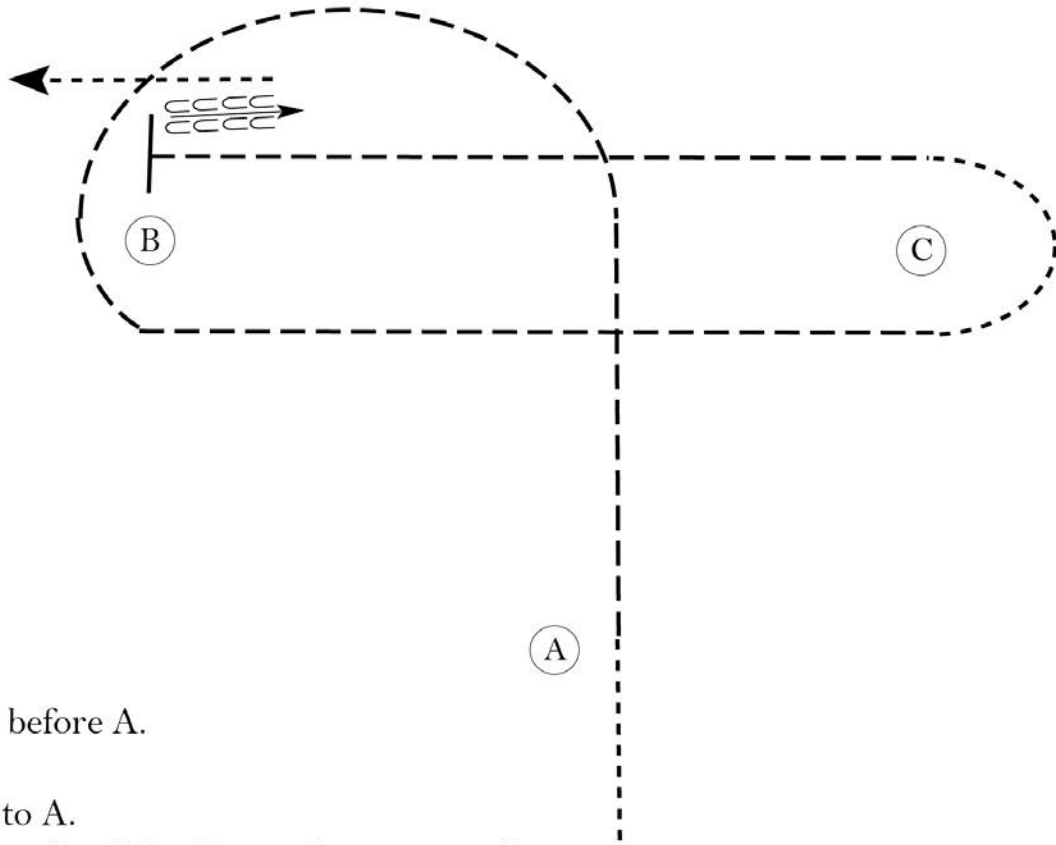
Pattern Provided by:

Torsten Haier

Ride Of America 1/2

Hunt Seat Equitation (Walk Trot)

Show Date: 07-20-2021



Be ready before A.

1. Walk to A.
2. Trot on the right diagonal to center of pattern and in a half circle around B.
3. Continue to trot on the right diagonal from B to C.
4. Walk around C.
5. Trot on the left diagonal to B.
6. Halt at B and back approximately one horse length. Walk straight away.

Follow the instructions of your ring steward.

Walk	-----
Trot	- - - - -
Extended Trot	—————
Canter	—————
Leg Yield	
Lead Change	///
Back	←←←
Marker	(B)
Sidepass	←←←
Hand Gallop	—————

[HSE/WT-60]

Pattern Provided by:

Torsten Haier

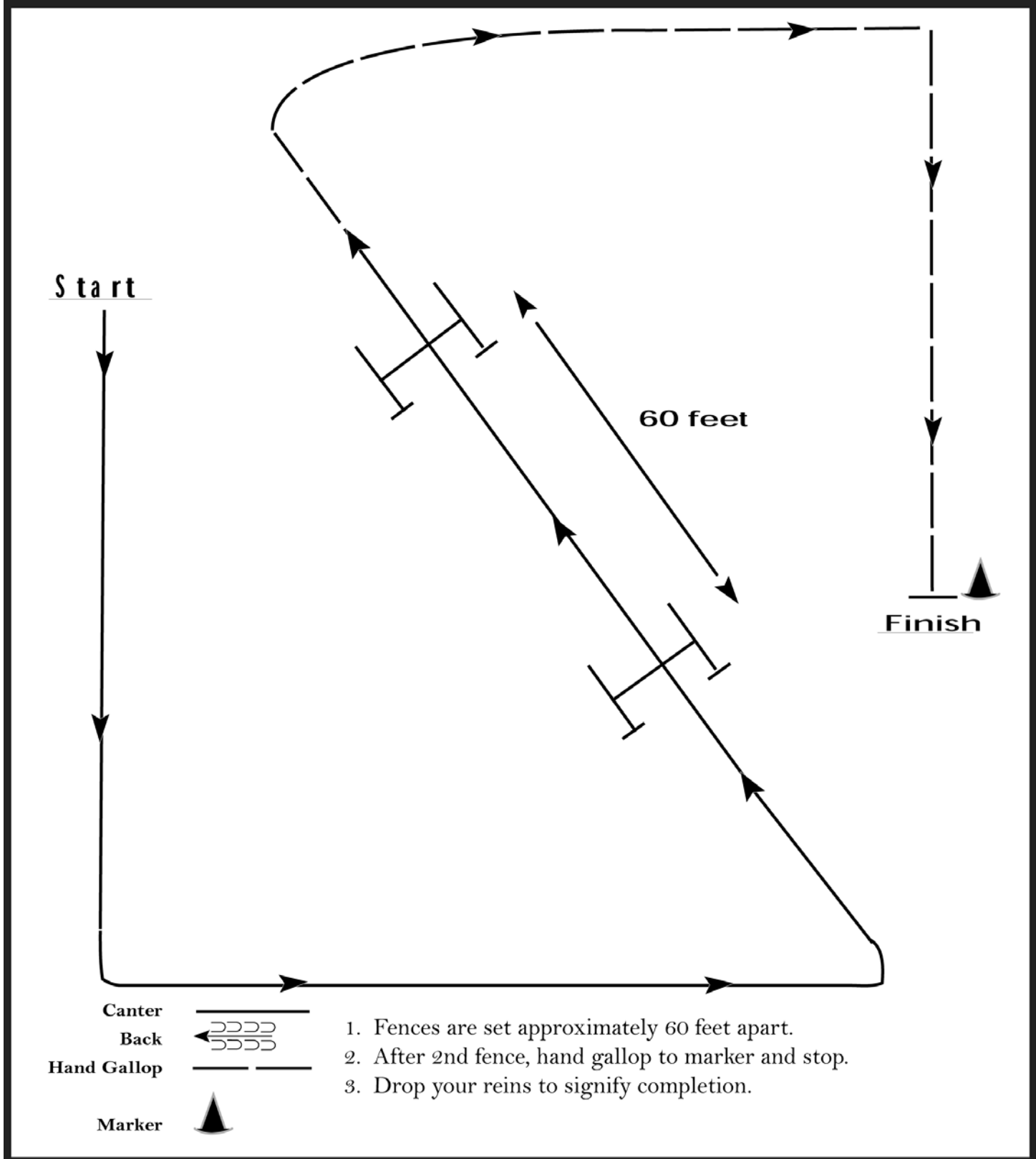
Ride Of America 1/2

Hunter Hack (All Divisions)

Show Date: 07-20-2021

w w w . H o r s e S h o w P a t t e r n s . c o m

w w w . H o r s e S h o w P a t t e r n s . c o m



Canter
Back
Hand Gallop
Marker

1. Fences are set approximately 60 feet apart.
2. After 2nd fence, hand gallop to marker and stop.
3. Drop your reins to signify completion.

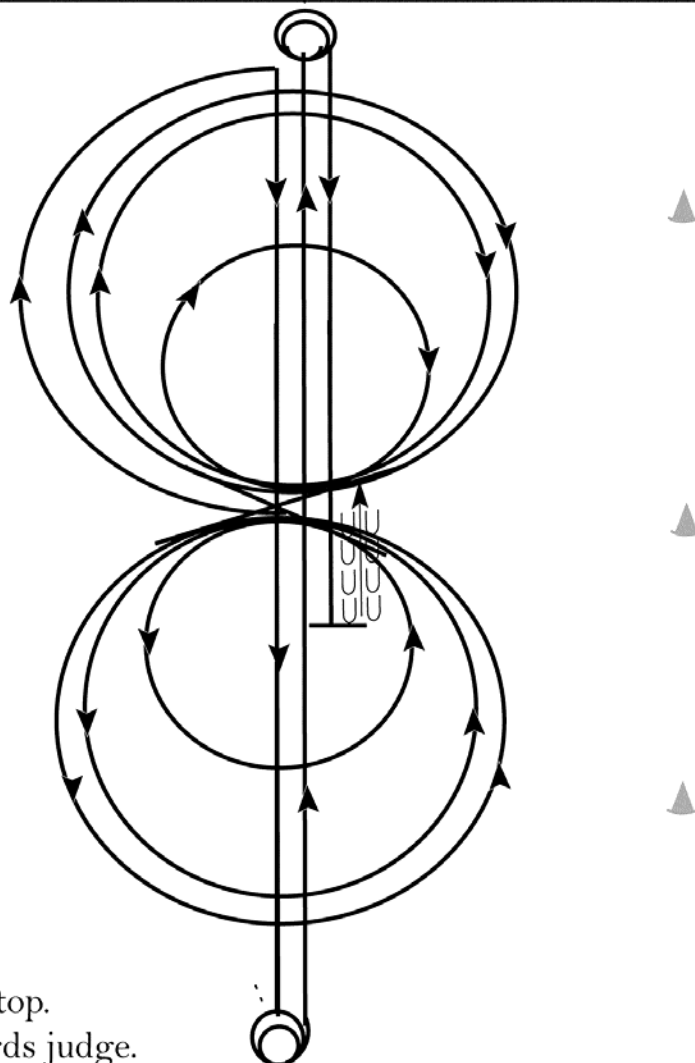
[HH/60-11]

Pattern Provided by:
Torsten Haier

Ride Of America 1/2

Working Cowhorse (NRCHA)

Show Date: 07-20-2021



Pattern 7

Trot to center of arena, stop.

Start pattern facing towards judge.

1. Begin on the right lead and complete 3 circles, the first big, fast, the second small, slow the third big, fast. Change leads to the left.
2. Complete 3 circles to the left, the first big, fast, the second small, slow, the third, big, fast. Change leads to the right.
3. Continue loping around end of arena without breaking gait or changing leads.
4. Run down center of arena, past end marker and come to a sliding stop. Hesitate.
5. Complete 3 1/2 spins to the right.
6. Run down center of arena past the end marker, come to a sliding stop. Hesitate.
7. Complete 3 1/2 spins to the left.
8. Run past center marker and come to a sliding stop.
9. Back up at least 10 feet.
10. Hesitate to complete pattern.

[NRCHAWC/7]

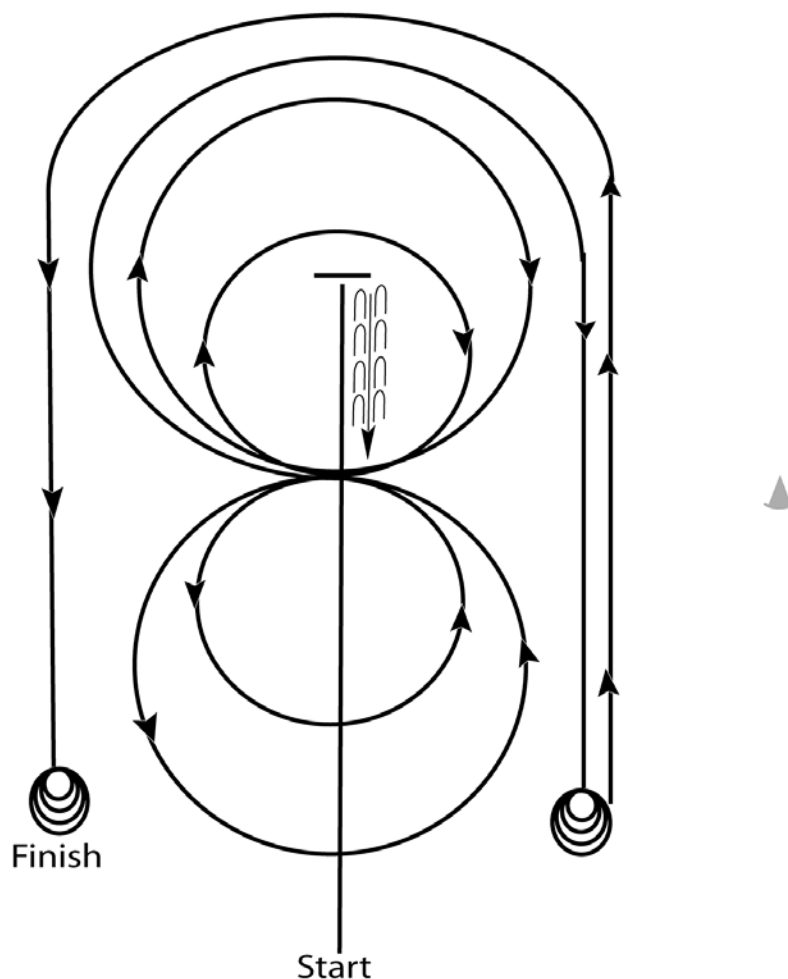
Pattern Provided by:

Torsten Haier

Ride Of America 1/2

Working Cowhorse (AQHA)

Show Date: 07-20-2021



Pattern 1

1. Start at end of arena. Run down middle past center marker to a sliding stop.
2. Back at least 10 feet to center. 1/4 turn left.
3. Pickup right lead, big fast circle, small slow circle.
4. Change leads to left, big fast circle, small slow circle.
5. Change leads to right, do not close this circle.
6. Run around end of arena and down the side (approximately 20 feet from fence) past center marker and come to a sliding stop.
7. Complete 3 1/2 turns to the right.
8. Continue back down side and end of arena to other side (approximately 20 feet from fence) go past center marker and come to a sliding stop.
9. Complete 3 1/2 turns to the left.
10. Hesitate to complete pattern.

[NRCHAWC/1]

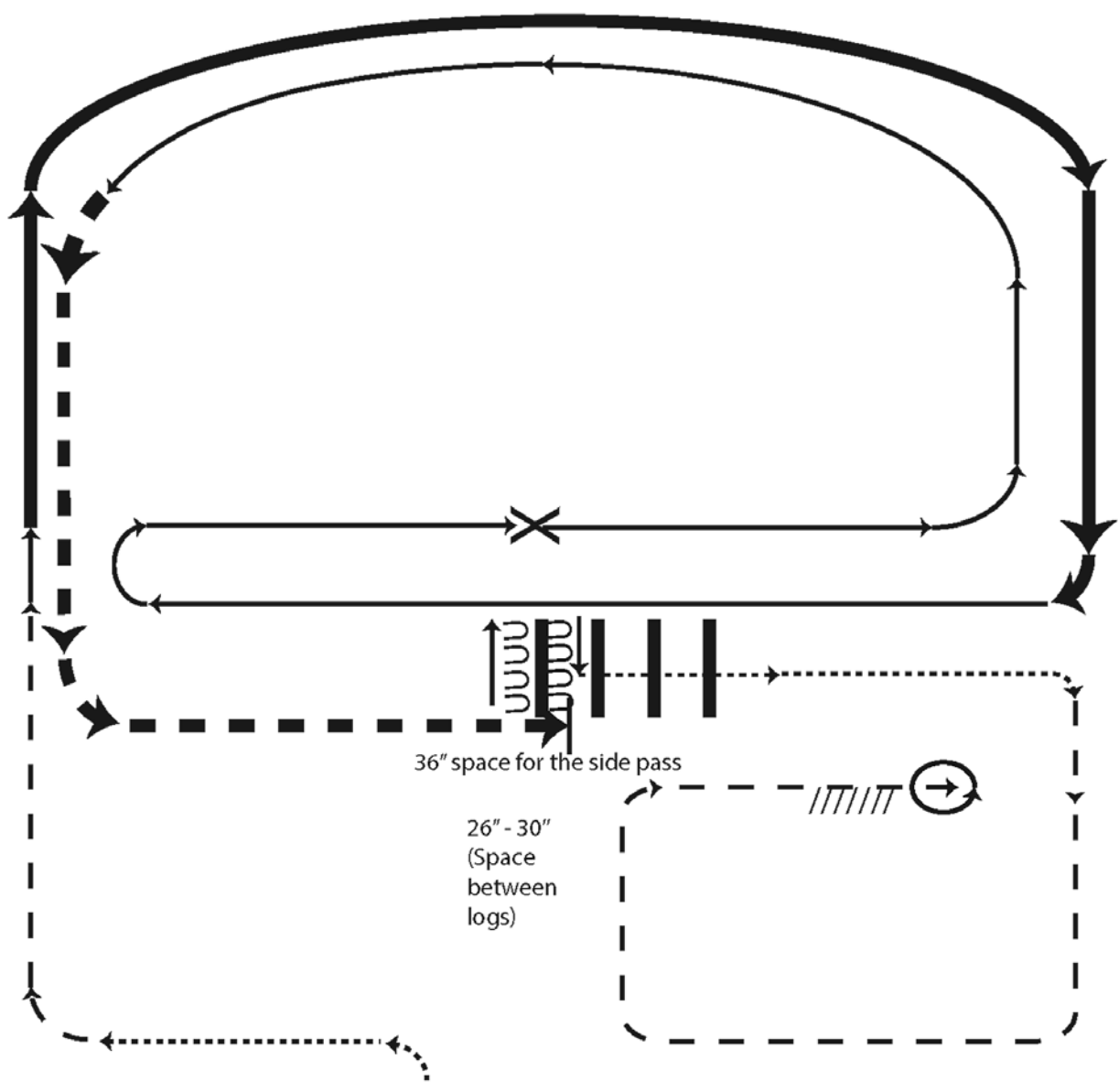
Pattern Provided by:

Torsten Haier

Ride Of America 1/2

Ranch Riding (Amateur/Youth)

Show Date: 07-20-2021



1. Walk
2. Trot
3. Extended lope-right lead
4. Lope-right lead
5. Change leads(simple or flying)
6. Lope left lead
7. Extended trot
8. Stop, side pass left, side pass right, 1/2 way
9. Walk over logs
10. Walk
11. Trot square
12. Stop, 360° turn left, back

- X Lead Change
- • Walk
- - Trot
- - - Ext Trot
- Lope
- — — Ext Lope
- /////// Back

www.HorseShowPatterns.com

www.HorseShowPatterns.com

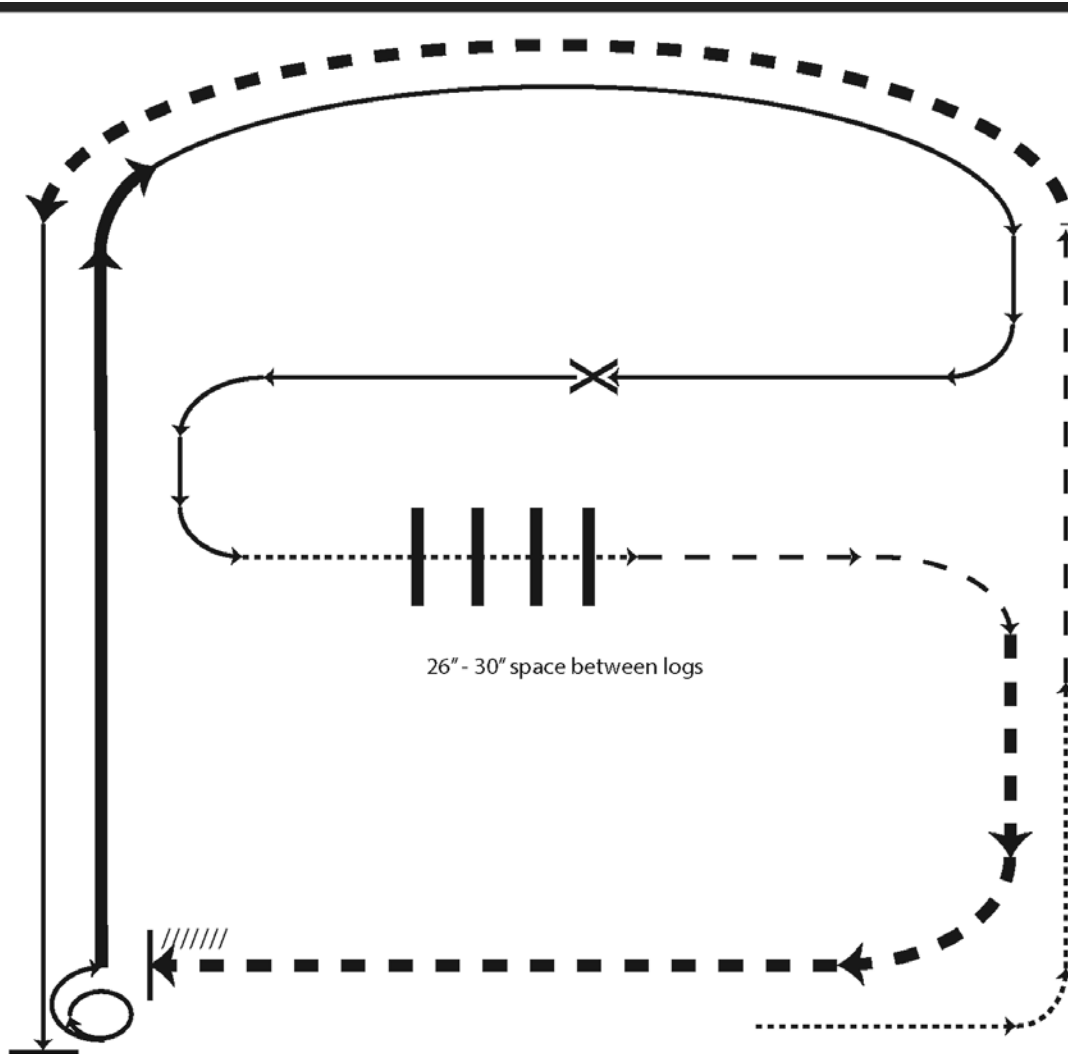
[RR/AQHA-4]

Pattern Provided by:
Torsten Haier

Ride Of America 1/2

Ranch Riding (Amateur/Youth Level 1)

Show Date: 07-20-2021



- X Lead Change
- Walk
- - - Trot
- - - Ext Trot
- — — Lope
- — — Ext Lope
- /////// Back

1. Walk
2. Trot
3. Extended trot
4. Left lead lope
5. Stop, 1 1/2 turn right
6. Extended lope
7. Collect to working lope-right lead
8. Change leads (simple or flying)
9. Walk
10. Walk over logs
11. Trot
12. Extended trot
13. Stop and back

[RR/AQHA-2]

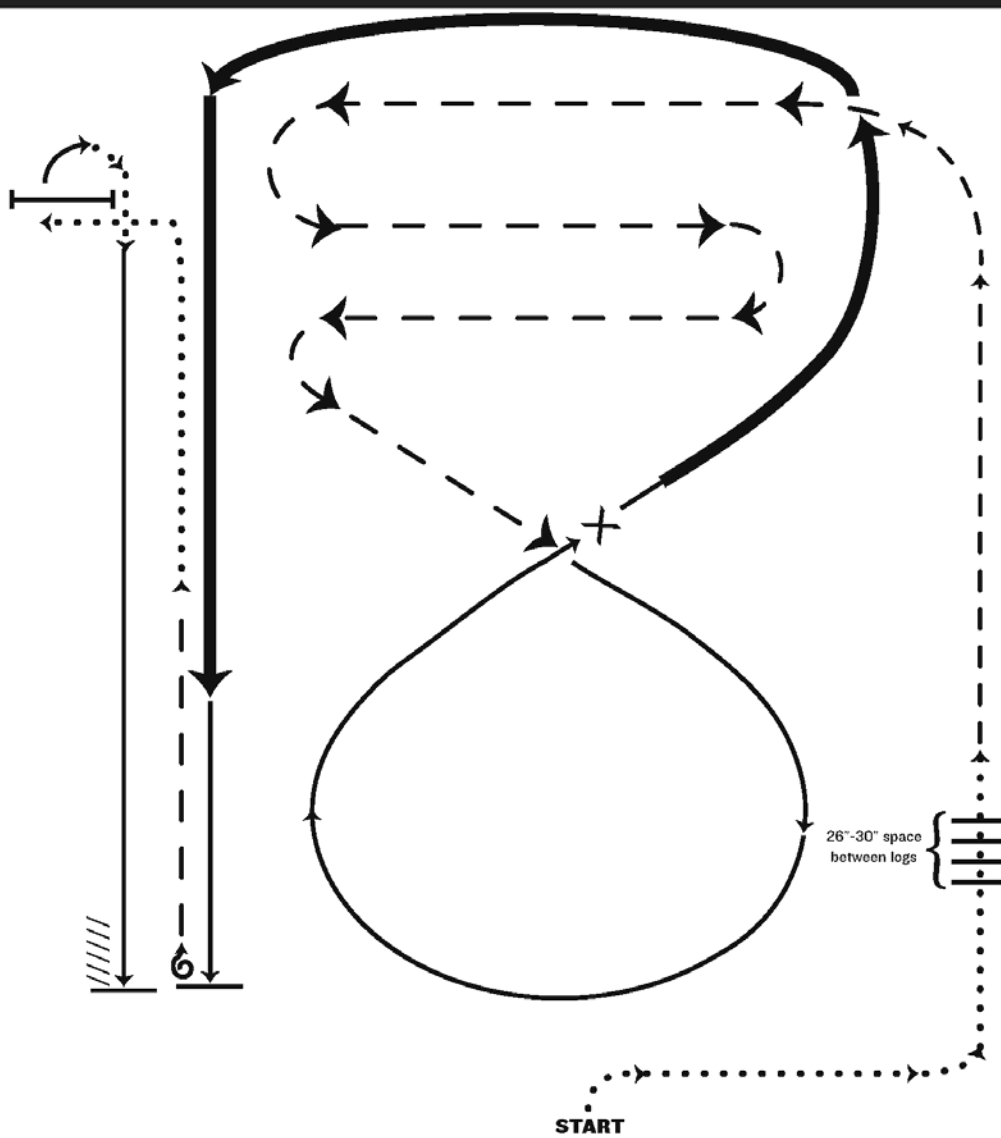
Pattern Provided by:

Torsten Haier

Ride Of America 1/2

Ranch Riding (Open)

Show Date: 07-20-2021



1. Walk
2. Walk over logs
3. Trot
4. Extended trot serpentine
5. Lope right lead
6. Change leads (simple or flying)
7. Extended lope (left lead), collect lope
8. Stop, 1 1/2 turn, either direction
9. Trot
10. Walk to gate
11. Right hand push gate
12. Walk, lope left lead
13. Stop and back

Note: The drawn description of this pattern is only intended for the general depiction of the pattern. Exhibitors should utilize the arena space to best exhibit their horses.

[RR/AQHA-13]

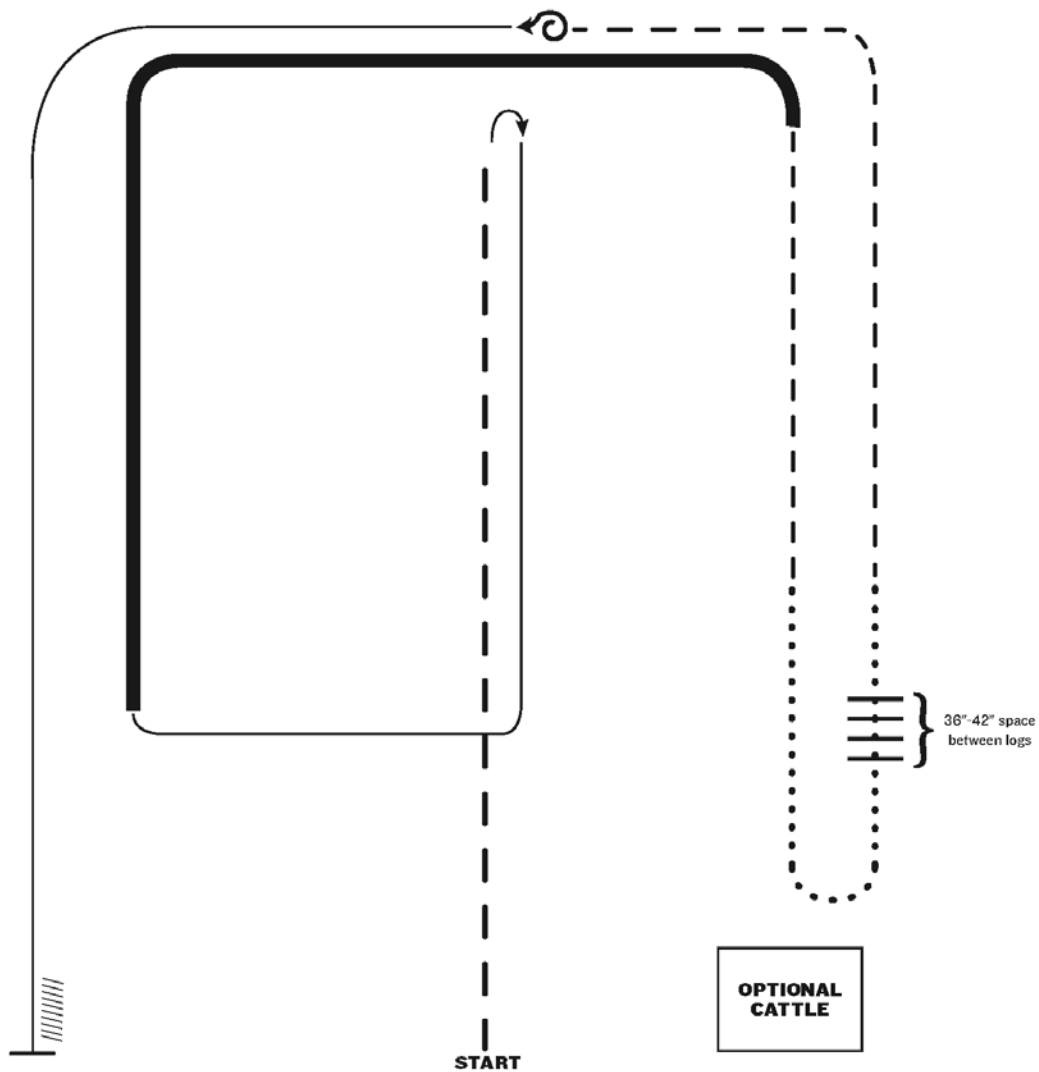
Pattern Provided by:

Torsten Haier

Ride Of America 1/2

Ranch Riding (Open Level 1)

Show Date: 07-20-2021



1. Extended trot
2. Stop, rollback right
3. Lope right lead
4. Extended lope (right lead)
5. Trot
6. Walk
7. Walk over logs
8. Walk
9. Trot
10. Stop, 360 left
11. Lope left lead
12. Stop and back

Note: The drawn description of this pattern is only intended for the general depiction of the pattern. Exhibitors should utilize the arena space to best exhibit their horses.

[RR/AQHA-15]

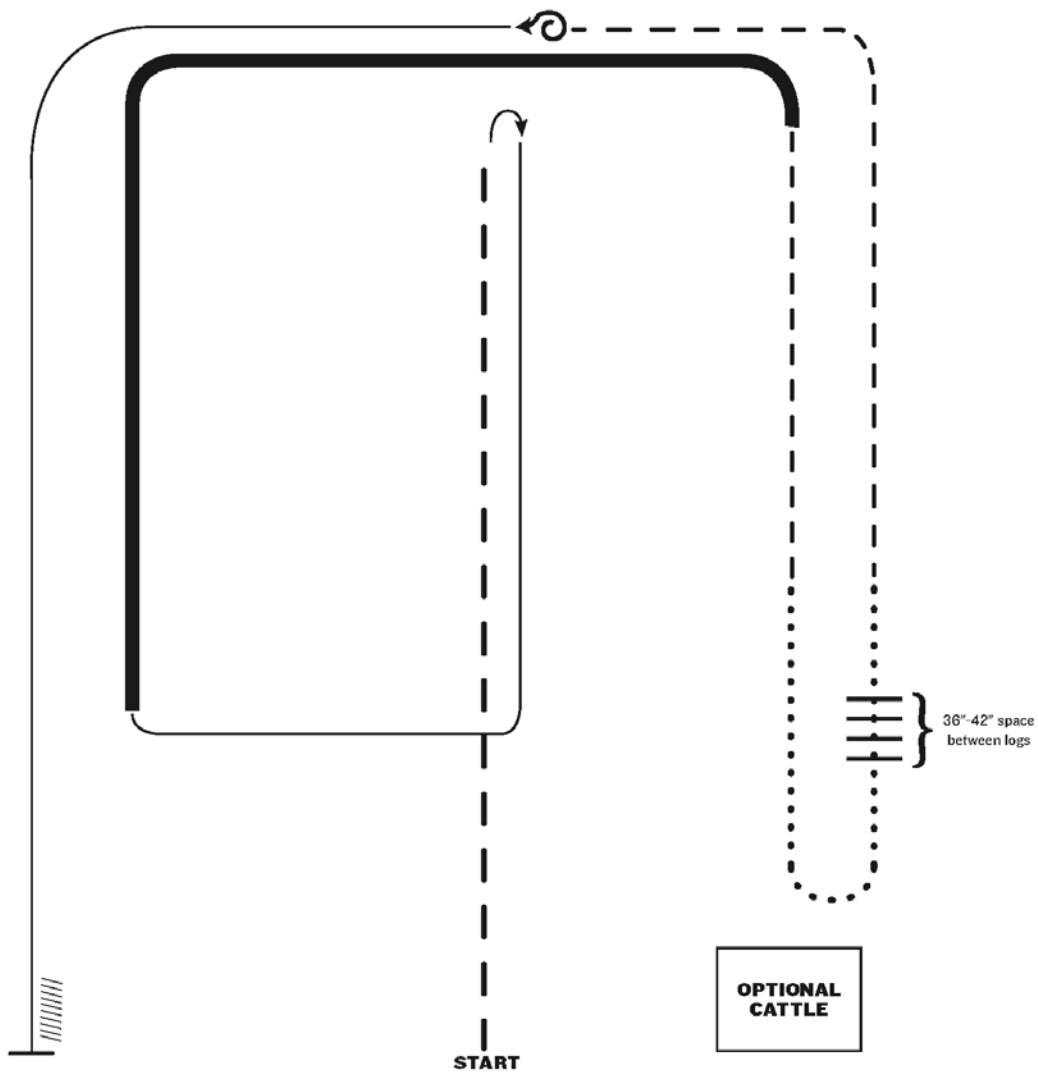
Pattern Provided by:

Torsten Haier

Ride Of America 1/2

Ranch Riding (Amateur Select)

Show Date: 07-20-2021



1. Extended trot
2. Stop, rollback right
3. Lope right lead
4. Extended lope (right lead)
5. Trot
6. Walk
7. Walk over logs
8. Walk
9. Trot
10. Stop, 360 left
11. Lope left lead
12. Stop and back

Note: The drawn description of this pattern is only intended for the general depiction of the pattern. Exhibitors should utilize the arena space to best exhibit their horses.

[RR/AQHA-15]

Pattern Provided by:

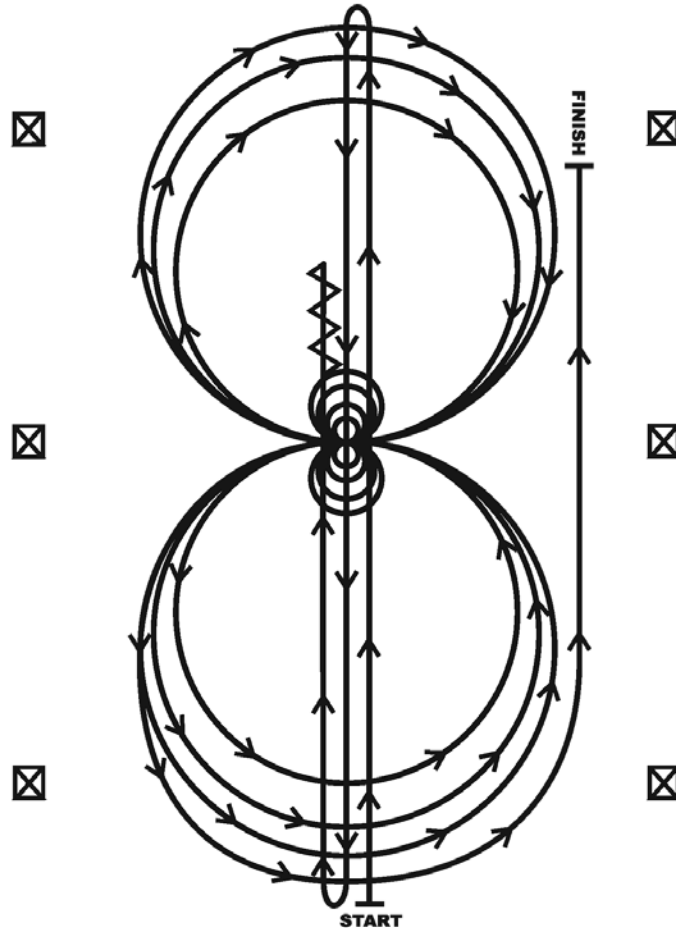
Torsten Haier

Ride Of America 1/2

Reining (Amateur/Youth)

Show Date: 07-20-2021

REINING PATTERN I



1. Run at speed to the far end of the arena past the endmarker and do a left rollback—no hesitation.
2. Run to the opposite end of the arena past the end marker and do a right rollback—no hesitation.
3. Run past the center marker and do a sliding stop. Back up to center of the arena or at least ten feet (three meters). Hesitate.
4. Complete four spins to the right. Hesitate.
5. Complete four and one-quarter spins to the left so that horse is facing left wall or fence. Hesitate.
6. Beginning on the left lead, complete three circles to the left: the first circle large and fast; the second circle small and slow; the third circle large and fast. Change leads at the center of the arena.
7. Complete three circles to the right: the first circle large and fast; the second circle small and slow; the third circle large and fast. Change leads at the center of the arena.
8. Begin a large circle to the left but do not close this circle. Run straight up the right side of the arena past the center marker and do a sliding stop at least twenty feet (six meters) from wall or fence. Hesitate to demonstrate the completion of the pattern.

[R/AQHAP-1]

Pattern Provided by:

Torsten Haier